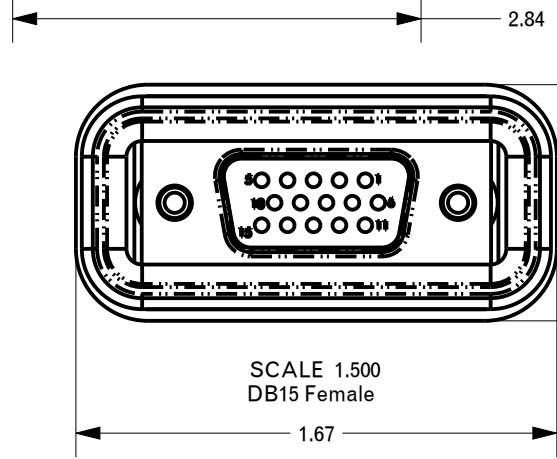
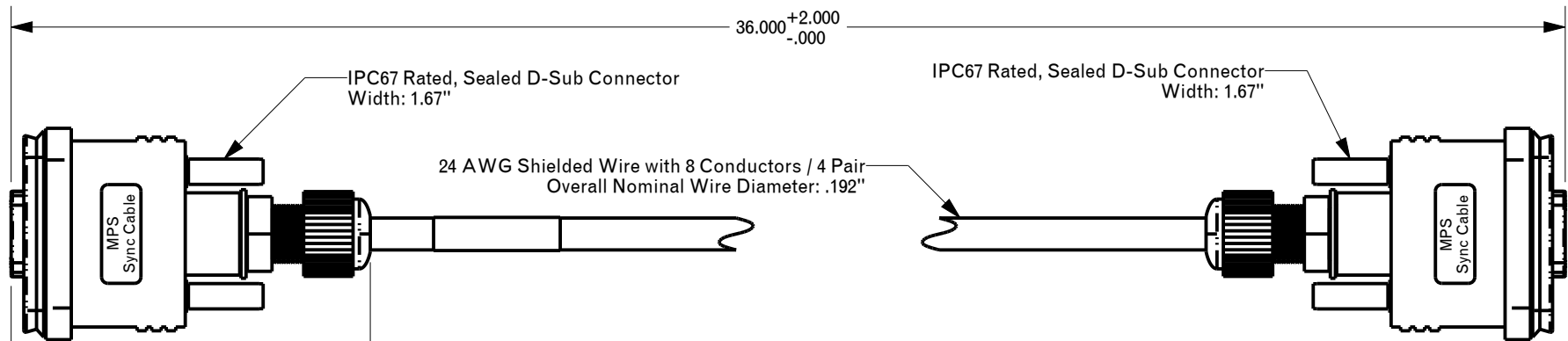


REVISIONS			
REV	DESCRIPTION	DATE	APPROVED
A	INITIAL RELEASE PER ECO 15-20425	121415	L. PITZELE



- Notes:
- REFERENCE SYNQOR SPECIFICATION: 705-MPS0016
 - WEIGHT: .25lb [.113kg]
 - CABLE MATERIAL: 24 AWG SHIELDED WIRE, UL CMP, FEP INSUL., -70 - 200° C

TOLERANCES:
 Unless otherwise specified:
 All dimensions in inches
 .X +/- .025
 .XX +/- .010
 .XXX +/- .005
 Angles +/- 1°

THIRD ANGLE PROJECTION

THIS DRAWING IS THE PROPERTY OF SYNQOR INC. It is not to be reproduced or copied, in whole or in part, or used for furnishing information to others, or for any purpose detrimental to the interests of SynQor. The information shown herein may be protected by patents owned or controlled by SynQor.

SynQor 155 Swanson Road
 Boxborough, MA 01719

MPS Synchronization Cable
 2 Units

SOURCE: PRO/E SYN-9322

SIZE	DATE	DWG. NO.	REV
A	121415	SYN-9322	A

SCALE: 0.750 DRAWN: LDP CHECK: SHEET 1 of 1